

# Berneer<sup>®</sup>

## 20m-IR Vandal proof Dome Camera (Shape D)

### Features

- 4.5 inch, IR-Vandal proof Dome camera
- Day/night with IR filter
- 3.6mm(6mm, 8mm, 12mm) board lens
- $\Phi 5 \times 23$ PCS IR LED, Longest IR distance: 20 meters
- IR LED turned on or off controlled by CDS
- Suitable for indoor use



### Models

BN-0320QFB/SS-D	540 TV lines, 1/3" Sony Super HAD CCD, 0.1Lux, SONY 2613 DSP
BN-0320QFB/SN-D	540 TV lines, 1/3" Sony Super HAD CCD, 0.1Lux, NEXTCHIP DSP
BN-0320HFB/SN-D	480 TV lines, 1/3" Sony Super HAD CCD, 0.1Lux, NEXTCHIP DSP
BN-0320EFB/SN-D	450 TV lines, 1/3" Sony Super HAD CCD, 0.1Lux, NEXTCHIP DSP
BN-0320DFB/SS-D	420 TV lines, 1/3" Sony Super HAD CCD, 0.1Lux
BN-0320DFB/HH-D	420 TV lines, 1/3" Sharp CCD, 0.5Lux
BN-0420DFB/HH-D	420 TV lines, 1/4" Sharp CCD, 0.5Lux

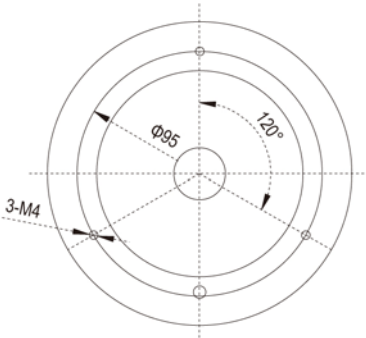
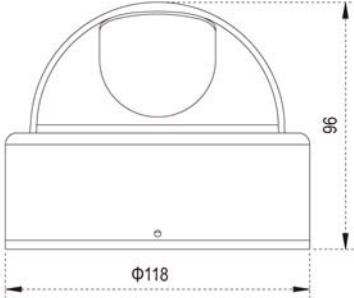
### Specifications



Horizontal Resolution	540/450/420 TV Lines available	
Electronic Shutter	PAL=1/50 -1/100,000 sec, NTSC=1/60 -1/100,000 sec	
Pixel	540 TV lines	PAL: 752×582,NTSC: 768×494(H×V)
	420/450 TV lines	PAL: 500×582,NTSC: 510×492(H×V)
Lens	3.6mm(6mm, 8mm, 12mm) board lens	
IR Distance	20 meters	
IR Status	Light below 10 Lux, CDS automatically open	

Power Supply	DC12V
Power Consumption	225-308mA
Dimension	118×96(Φ×H)
Net Weight	0.53kg
Operating Temperature	-10 ~ 50°C (Relative Humidity: 95% max.)

## Dimension

Back View	Side View
	

## Optional Item

BN-B180 Bracket	Snapshot
	