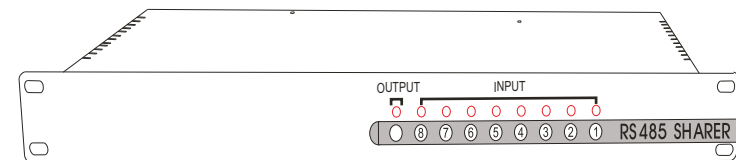


Berneer[®]

..... > RS485 Sharer
BN-485F

User Manual



1-In/8-Out Rackmount

Functions

Ensure multiple RS485/422 controllers (i.e. DVR, matrix, keyboard controller, etc) manage multiple controlled objects tied in one bus-line, moreover solve operation conflict & authority problem among controllers

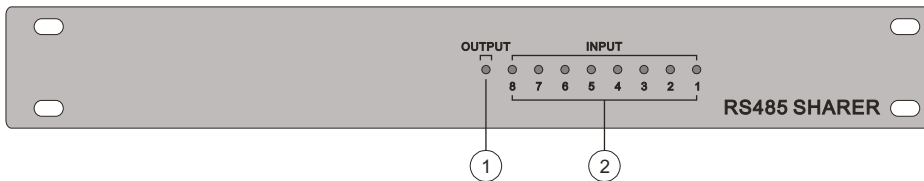
Code Convert Functions

Ensure directly connect with RS422 devices (i.e. matrix) in order to control front-end equipments

Real-time output

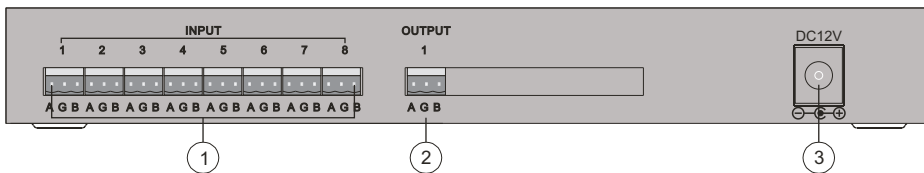
Real-time output, never adjust code. Not need change system settings, RS485 bus-mastering devices can set different protocols & baud rates

Front Panel Picture



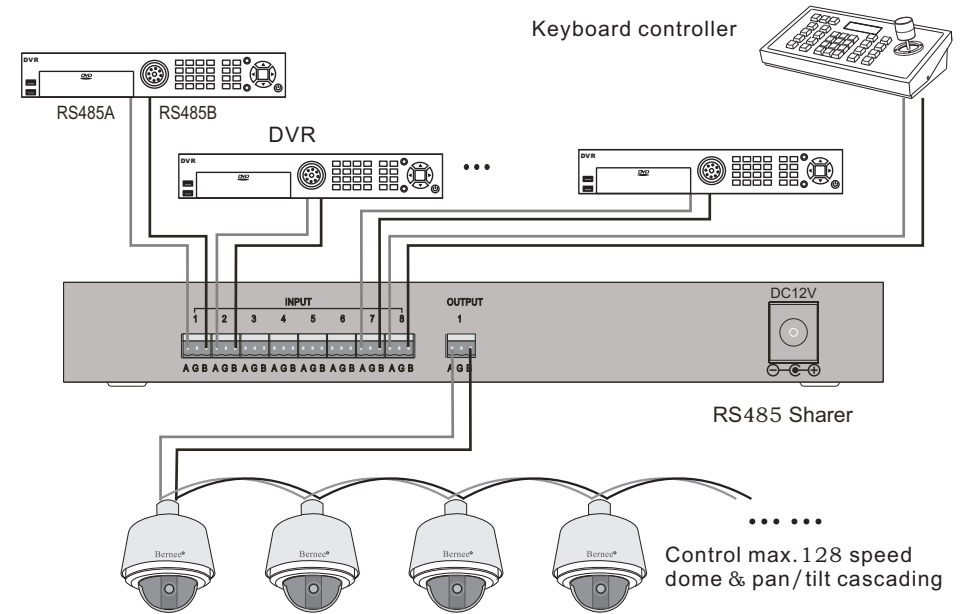
Indicator & Port	State & Connection Notes	
1	Output indicator	Output port flickering or turning green
2	Input indicator (1-8)	8 Input ports flickering or turning green for ongoing; turning red for pause

Back Panel Picture



Indicator&Port	State&Connection Notes	
1	RS485 input port (1-8)	Connect input controllers (DVR, matrix, keyboard), "A" to RS485+, "B" to RS485-, "G" to grounding
2	RS485 input port	Connect speed dome or decoder, "A" to RS485+, "B" to RS485-, "G" to grounding
3	Power input	DC12V

Typical Wiring Diagram



Accessories

List			
Name	Quantity	Unit	Notes
Power Supply	1	\	Input:DC12V
3PIN Connector	9	\	
User Manual	1	\	
Certification	1	\	
Guarantee Card	1	\	