

TFT LCD-MONITOR



User Manual

Please read this user manual carefully to ensure that you can use the device correctly and safely.

Index

Chapter 1 LCD Monitor Introduction	4
1.1 Accessories	5
1.2 Control board Introduction	5
1.3 Connecting Interface Introduction	5
1.4 Remote Controller	6
Chapter 2 LCD Monitor Functions Setting	12
2.1 Signal Source Selection	12
2.2 OSD Menu Operations	12
2.3 OSD Instructions in Video (BNC) Mode.....	13
2.4 OSD Menu instructions in YPbPr (Analog RGB) Mode.....	16
2.5 OSD Adjustment in PC Mode	20
Chapter 3 Troubleshooting	23
Chapter 4 Specifications	24

Safety Notice Items



Important precautions!



High voltage hazard!



High voltage inside! To prevent electric shock, please do not open the housing. Please ask technical people for repair.



To insure your safety and extend the life-span of LCD-MONITOR, please read the following items carefully before using.

- Please read and comprehend all usage guides before using.
- Please keep the book for later use.
- Please comply with the warning indications on the machine and in this book
- Please abide by all using illustrations when operating.
- Do not use accessory devices not recommended by the manufacturer. Incorrect usage of accessory device may cause accident.
- Please use the power adapter equipped for color LCD-MONITOR. Before connecting the AC power cord to the socket, please check if the specified requirements of the adapter accord with the local power supply network. Please contact your dealer or the local power supply administration if you are not sure about the power supply to be used.
- Do not place anything on or around the power cord. A damaged power cord may cause electric shock or fire.
- Do not try to maintain the machine by yourself. The high voltage equipment and other damageable parts may do various harms to human body. Make sure ask for tech people repairing.
- Please do not touch any control parts not mentioned in the manual. Incorrect adjustment of a control part not mentioned in the manual may damage the machine, as well as increase the technical personnel's maintenance workload.
- If need replacing components, please ask tech people for appointed or other components with equal performance. Improper components may cause fire, electric shock, monitor damage, etc.
- If the machine is to be fixed on the wall or on the ceiling, please operate according to the installation method recommended by the manufacturer.
- Before cleaning the machine, pull out the power plug and clean the machine with a slightly wet cloth. Do not use any liquid or sprayed cleaning agent.
- Pull out the power plug if you will not use it for an indefinite period of time.
- Do not place the machine on an unsteady barrow, support, tripod or desk.
- Assure air ventilation around the machine, and do not over or block the vent holes.
- The LCD screen is made of sensitive materials. Do not touch the LCD screen with any object. If dropped from a high place or impacted, the LCD screen may break. Do not use this machine any longer in this case.
- Do not place the machine in direct sunlight or near a heat source such as heater, stove as well as other heat emitters suchlike. Each on/off interval should not be less than 3 seconds.

Chapter 1 LCD Monitor Introduction

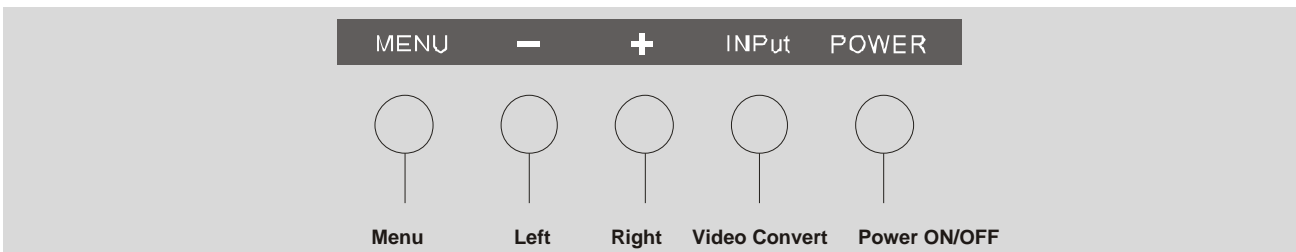


1.1 Accessories

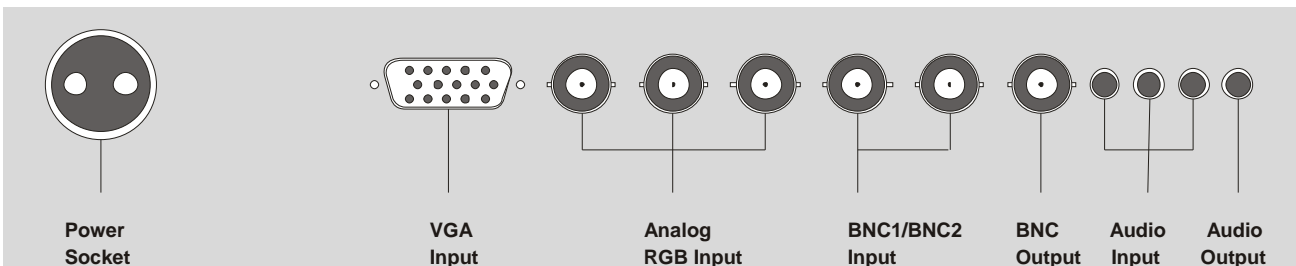
(Please modify the accessory list according to practice)

1. LCD monitor (×1)
2. User manual (×1)
3. AC power cord (×1)
4. BNC (×1)
5. IR remote controller (×1)

1.2 Control board Introduction

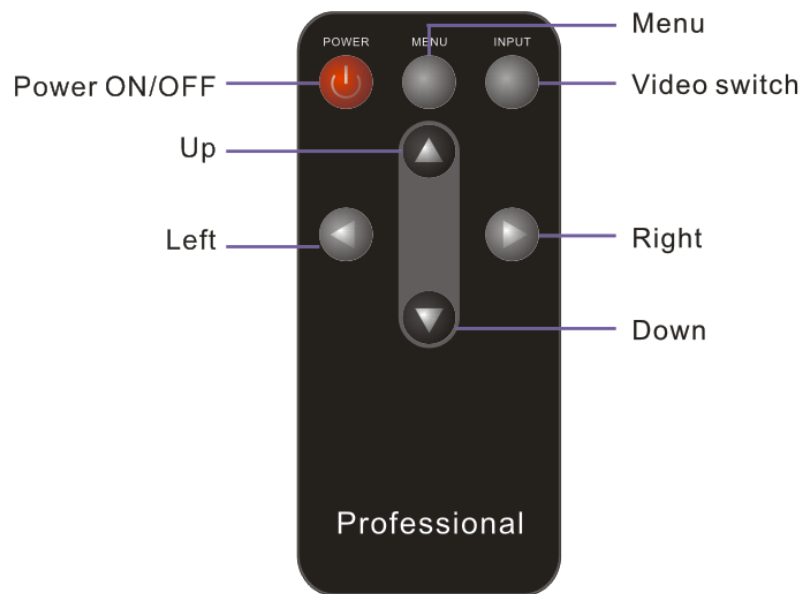


1.3 Connecting Interface Introduction



- Power Socket: connect AC power cord
- VGA Input: connect to the video devices (with VGA output interface) and PC.
- Analog RGB Input: connect to YPbPr/YCbCr video output interface of DVD or other video devices.
- BNC1/BNC2 Input: connect to BNC interface of camera and DVRs.
- BNC Output: BNC1/BNC2 loop-through output.
- Audio Input: connect to audio output interface of audio devices.
- Audio Output: audio loop-through output, putout audio to other audio devices.

1.4 Remote Controller

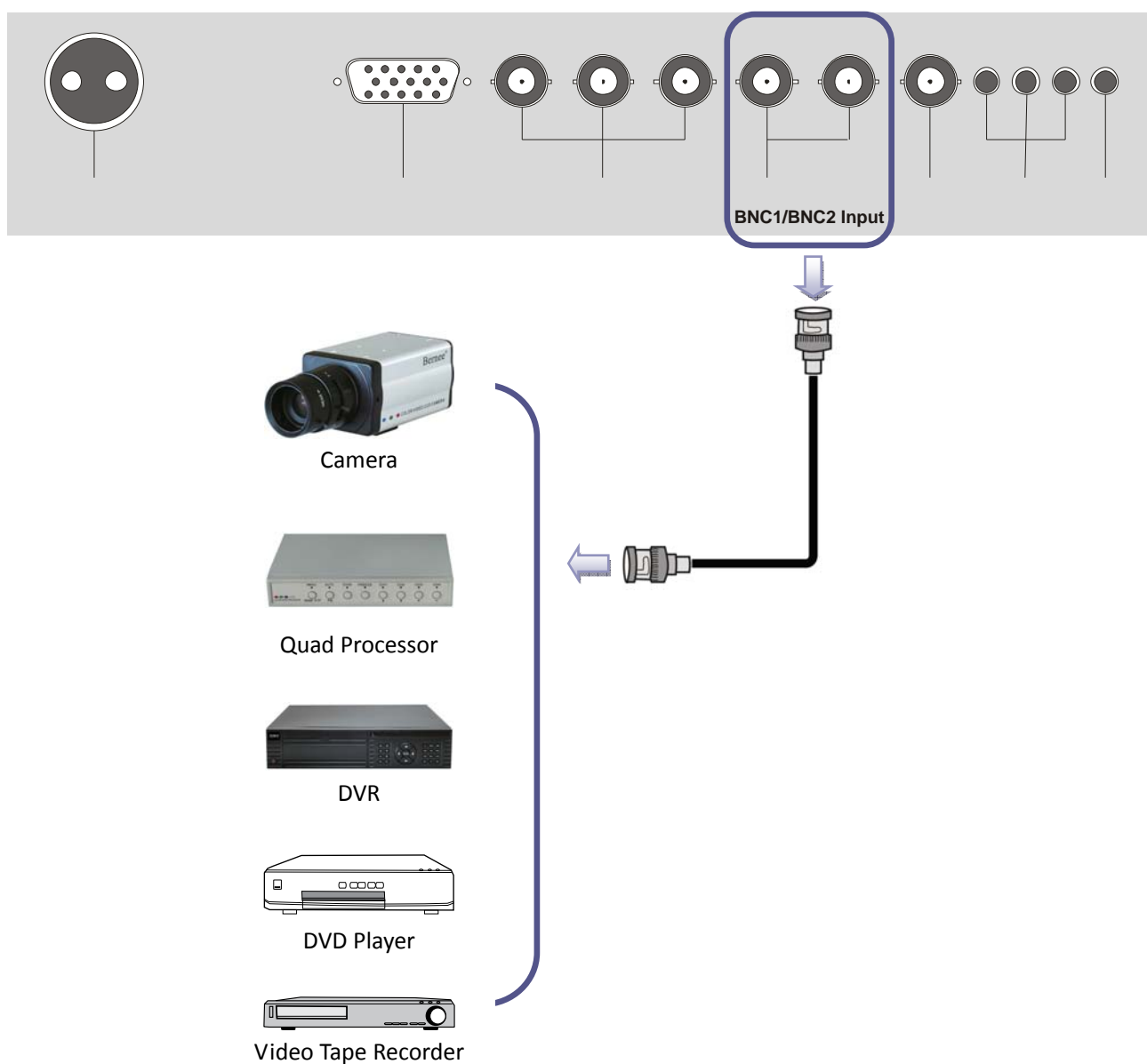


Notes: make controller direct to IR wave receiving point (red point on picture) on monitor

1.5 Connecting Different Input Signals to LCD- Monitor

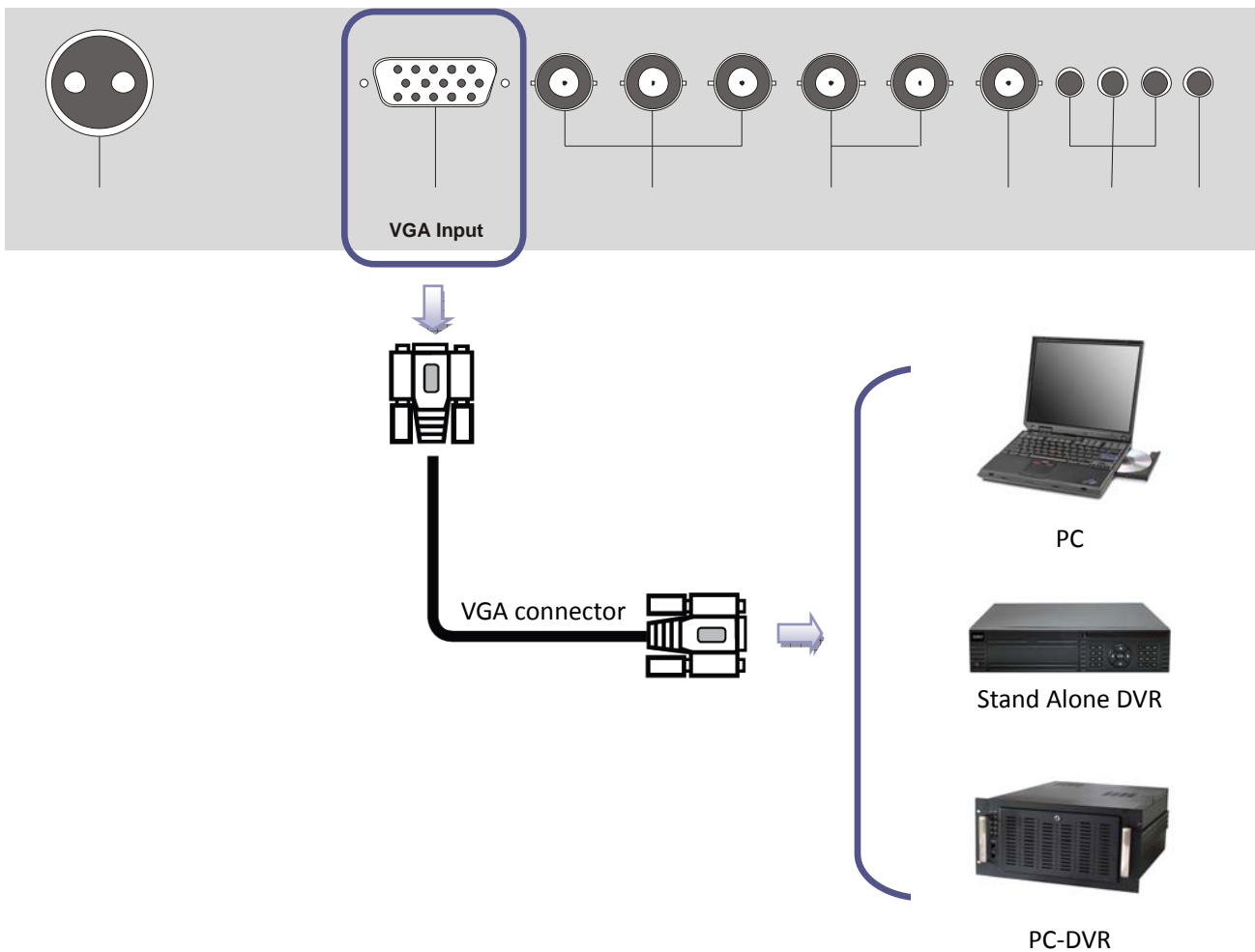
■ Connect to composite video device

- Make sure the LCD Monitor and the external video devices are power-off.
- Use BNC cable for connecting BNC input interface of external video devices to the BNC input interface of LCD monitor.
- Switch on electricity of LCD monitor, and then switch on electricity of external video devices.
- Use INPUT button on monitor panel or controller for setting "Video 1" or "Video 2" input-displaying-mode for LCD monitor.



■ Connect to VGA device

- Make sure LCD monitor and the VGA devices (PC, DVR, etc) are power-off.
- Plug the D-type15 pin VGA interface into the VGA video interface of the PC, and the other end into DB15VGA inlet of the LCD Monitor. Fasten the screw.
- Connect the 12V power adapter to the power inlet of the LCD Monitor, and the other end into the AC 220V power supply.
- Switch on electricity of LCD monitor, and then switch on electricity of PC.
- Use INPUT button on monitor panel or controller for setting “PC” displaying mode for LCD monitor.
- LCD monitor supports resolutions shown in chart (1), other resolutions cannot be displayed normally by monitor.



Install driver with VGA mode:

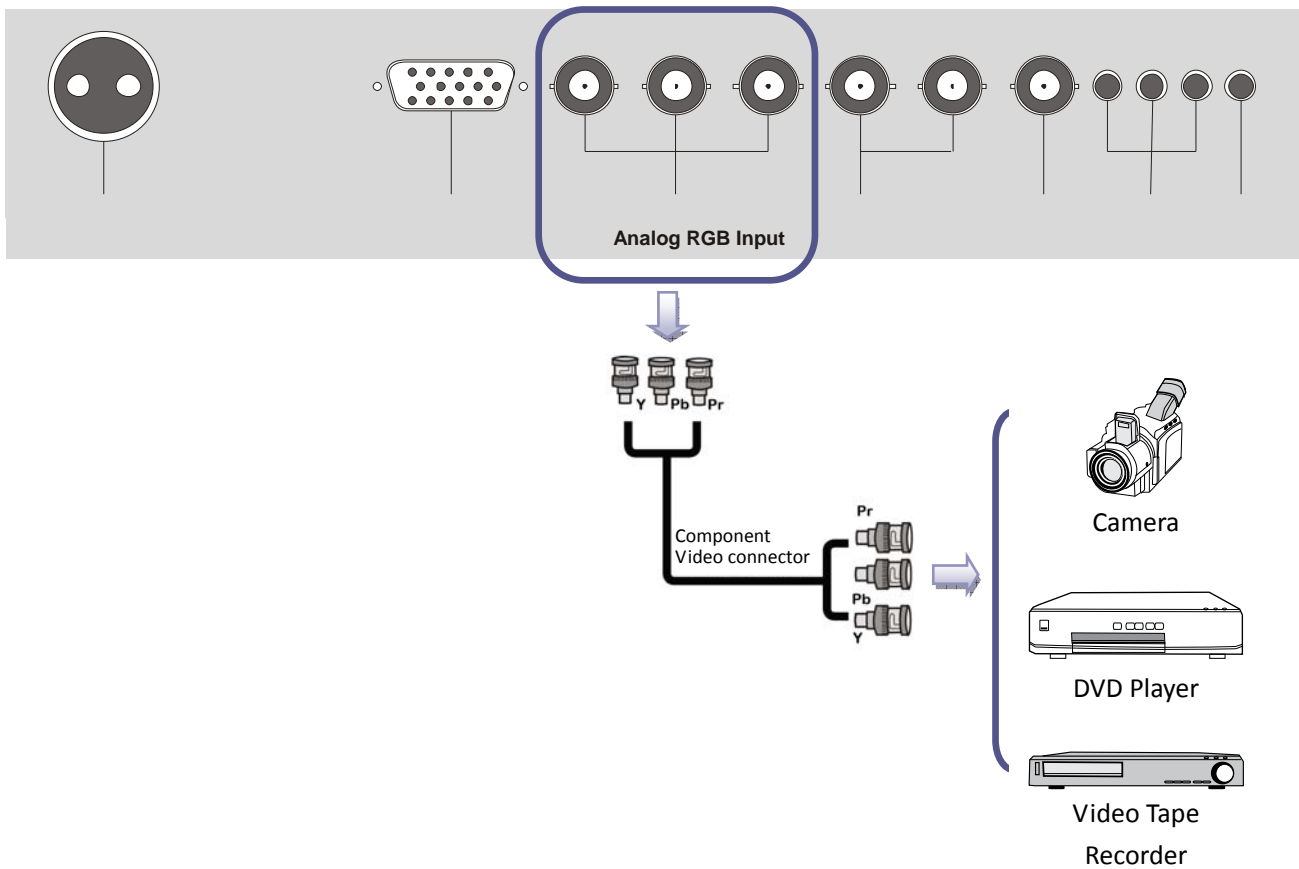
- 1 If the PC is using the monitor for the first time, Windows will prompt that new hardware is found and its driver needs to be installed. Click “next step”.
- 2 Select “Display a list of all drivers at the specified location, so as to select the required driver form the list”, click “next step”.
- 3 Select “display all hardware” → “type of standard monitor” → “plug and play monitor”,
- 4 Click next step to continue the installation program; Click “complete”.

Chart (1): VGA resolutions & frequencies supported by Bernee monitors

Modes	Available Resolutions
BN-ML10	640×480(60/72/75HZ),800×600(60/72/75HZ)
BN-ML12	640×480(60/72/75HZ),800×600(60/72/75HZ)
BN-ML15	640×480(60/72/75HZ),800×600(60/72/75HZ), 1024×768(60/72/75HZ)
BN-ML17	640×480(60/72/75HZ),800×600(60/72/75HZ), 1024×768(60/72/75HZ), 1280×1024(60/72/75HZ)
BN-ML19	640×480(60/72/75HZ),800×600(60/72/75HZ), 1024×768(60/72/75HZ), 1280×1024(60/72/75HZ)
BN-ML20	640×480(60/72/75HZ),800×600(60/72/75HZ), 1024×768(60/72/75HZ), 1280×1024(60/72/75HZ),1600×1200(60/72/75HZ)
BN-ML21	640×480(60/72/75HZ),800×600(60/72/75HZ), 1024×768(60/72/75HZ), 1280×1024(60/72/75HZ),1400×1050(60/72/75HZ)
BN-ML22	640×480(60/72/75HZ),800×600(60/72/75HZ), 1024×768(60/72/75HZ), 1280×1024(60/72/75HZ),1680×1050(60/72/75HZ)
BN-ML26	640×480(60/72/75HZ),800×600(60/72/75HZ), 1024×768(60/72/75HZ), 1280×1024(60/72/75HZ),1366×768(60/72/75HZ)
BN-ML32	640×480(60/72/75HZ),800×600(60/72/75HZ), 1024×768(60/72/75HZ), 1280×1024(60/72/75HZ),1366×768(60/72/75HZ)
BN-ML37	640×480(60/72/75HZ),800×600(60/72/75HZ), 1024×768(60/72/75HZ), 1280×1024(60/72/75HZ),1366×768(60/72/75HZ),1920×1080(60HZ)
BN-ML42	640×480(60/72/75HZ),800×600(60/72/75HZ), 1024×768(60/72/75HZ), 1280×1024(60/72/75HZ),1366×768(60/72/75HZ),1920×1080(60HZ)
BN-ML47	640×480(60/72/75HZ),800×600(60/72/75HZ), 1024×768(60/72/75HZ), 1280×1024(60/72/75HZ),1366×768(60/72/75HZ),1920×1080(60HZ)
BN-ML52	640×480(60/72/75HZ),800×600(60/72/75HZ), 1024×768(60/72/75HZ), 1280×1024(60/72/75HZ),1366×768(60/72/75HZ),1920×1080(60HZ)
BN-ML65	640×480(60/72/75HZ),800×600(60/72/75HZ), 1024×768(60/72/75HZ), 1280×1024(60/72/75HZ),1366×768(60/72/75HZ),1920×1080(60HZ)
BN-ML70	640×480(60/72/75HZ),800×600(60/72/75HZ), 1024×768(60/72/75HZ), 1280×1024(60/72/75HZ),1366×768(60/72/75HZ),1920×1080(60HZ)
BN-ML82	640×480(60/72/75HZ),800×600(60/72/75HZ), 1024×768(60/72/75HZ), 1280×1024(60/72/75HZ),1366×768(60/72/75HZ),1920×1080(60HZ)

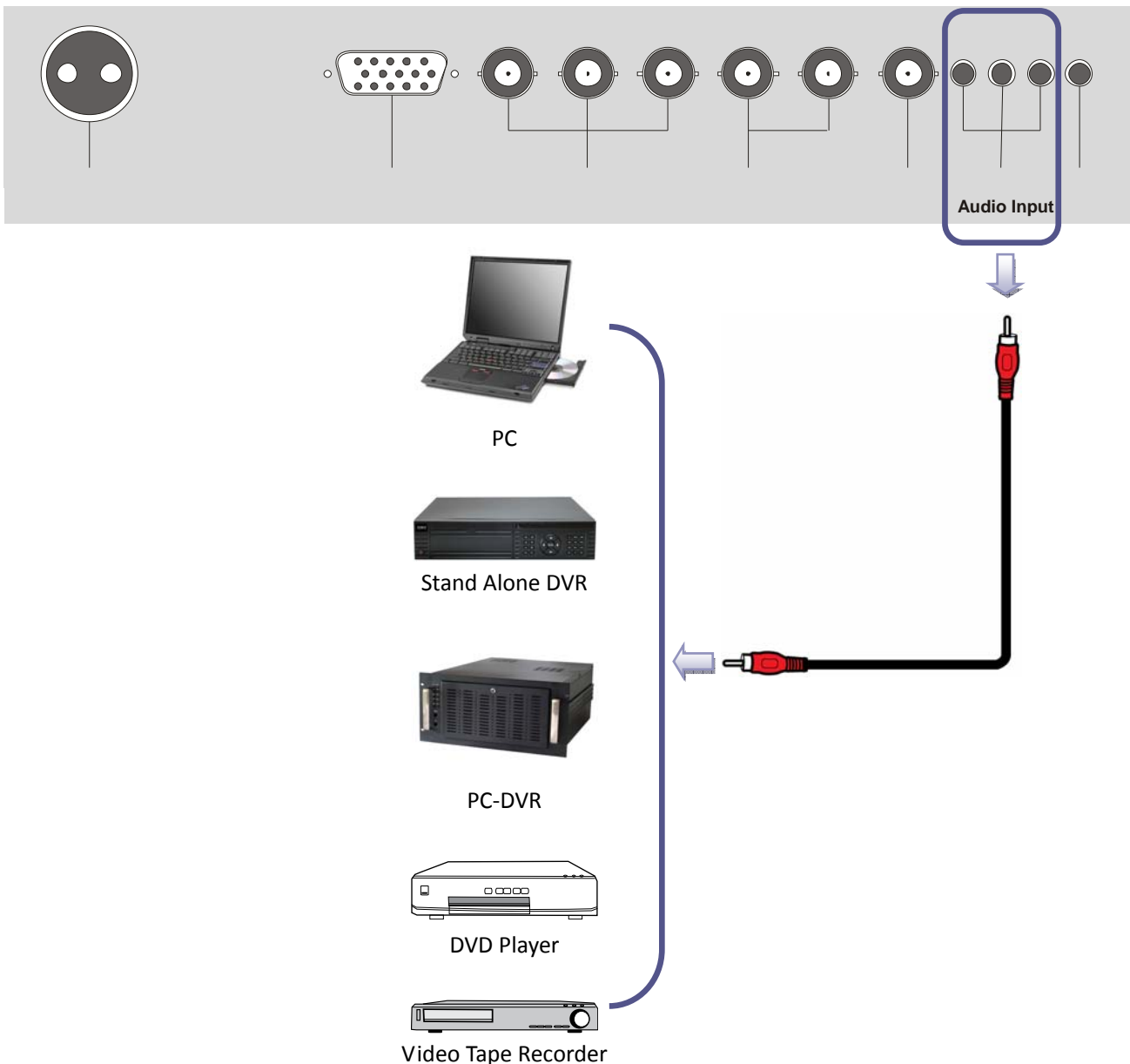
■ Connect to YPbPr device

- Make sure LCD monitor and the external video devices are power-off.
- Use a component video cord for connecting component-video-output-interface of external-video-device to YPbPr IN interface of input.
- Switch on electricity of LCD monitor, then switch on electricity of external video device.
- Use INPUT button on monitor panel or controller for setting “HD (high definition)” displaying mode for LCD monitor.



■ Connect to audio device

- Make sure LCD monitor and the outer cameras are power-off.
- Use audio cord for connecting audio output interface of external video device to audio input interface which matches with video input devices of LCD monitor.
- Switch on electricity of LCD monitor, and then switch on electricity of external audio device.
- Use LEFT/RIGHT button on monitor panel or controller for adjusting volume directly, and use MUTE button on controller for managing mute state.

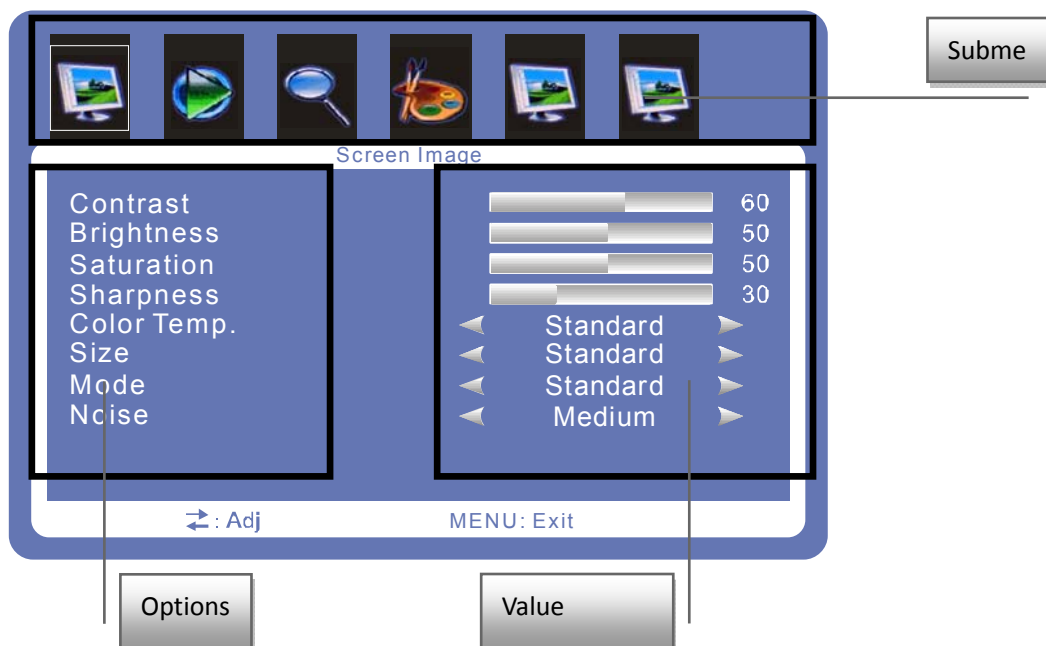


Chapter 2 LCD Monitor Functions Setting

2.1 Signal Source Selection

Use “INPUT” button on monitor panel or remote controller for selecting signal source, including input options of Video 1, Video 2, HD signal and PC signal.

2.2 OSD Menu Operations

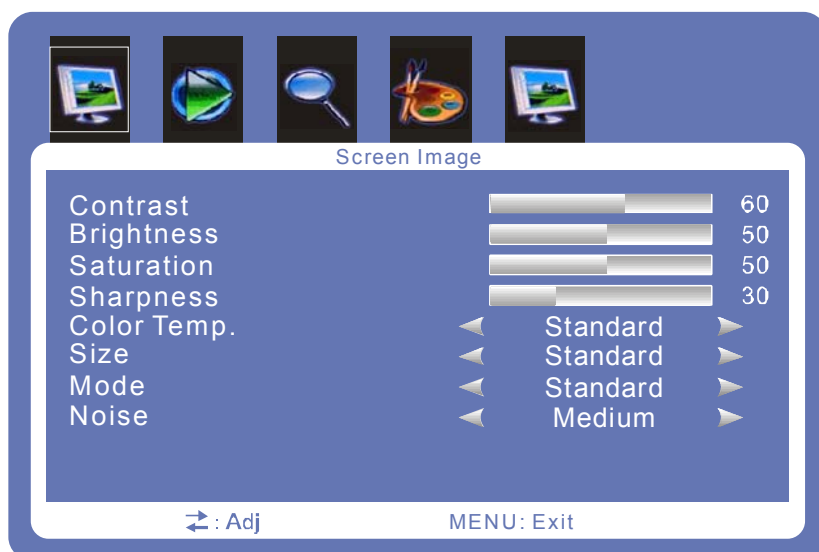


1. Remote controller operation:
 - 1) Press key “MENU” and you can get the OSD menu.
 - 2) Press key “LEFT/RIGHT” to enter the submenu.
 - 3) Press key “UP/DOWN”, and you can select & adjust submenus.
 - 4) Press key “LEFT/RIGHT” to change value
 - 5) Press key “MENU” to exit options setting
 - 6) Press key “MENU” to exit menu setting

2. Keys operation of LCD monitor panel:
 - 1) Press key “MENU” and you can get the OSD menu.
 - 2) Press key “-/+” to enter the submenu, press “MENU” to confirm
 - 3) Press key “-/+” to select & adjust submenu, press “MENU” to confirm
 - 4) Press key “-/+ to” change options value
 - 5) Press key “INPUT” to exit value setting
 - 6) Press key “INPUT” to exit options setting
 - 7) Press key “INPUT” to exit menu setting

2.3 OSD Instructions in Video (BNC) Mode

Screen image setting (Video mode)



<Contrast>: adjust contrast ratio of light and shade, options: 0-100

<Brightness>: adjust brightness of picture, options: 0-100

<Saturation>: adjust color saturation of picture, options: 0-100

<Sharpness>: adjust sharpness of picture, options: 0-100

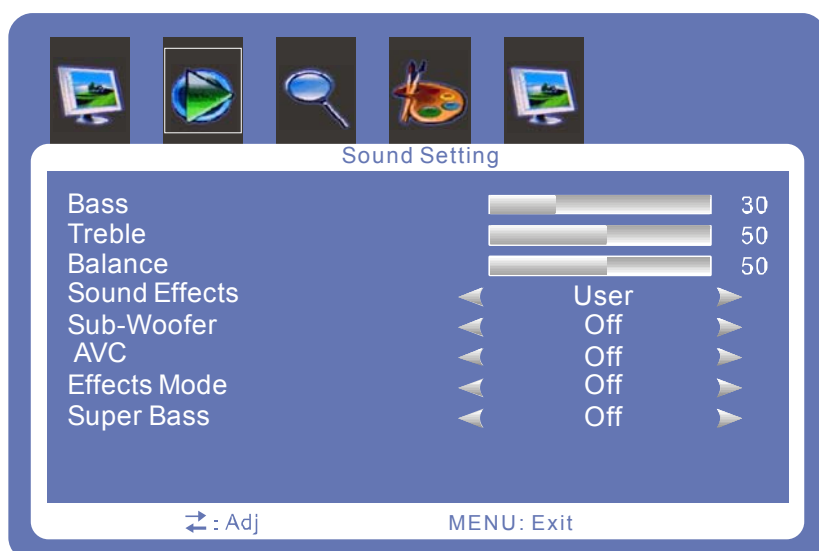
<Color Temp>: adjust color temperature of picture, options: Standard, Cold, Warm

<Size>: adjust size of picture, options: Normal, Small 1, Small 2, 16:9

<Mode>: adjust display mode of picture, options: Standard, User, Mild, Game

<Noise>: adjust background noise of picture, options: High, Medium, Low, Off

Sound setting (Video mode)

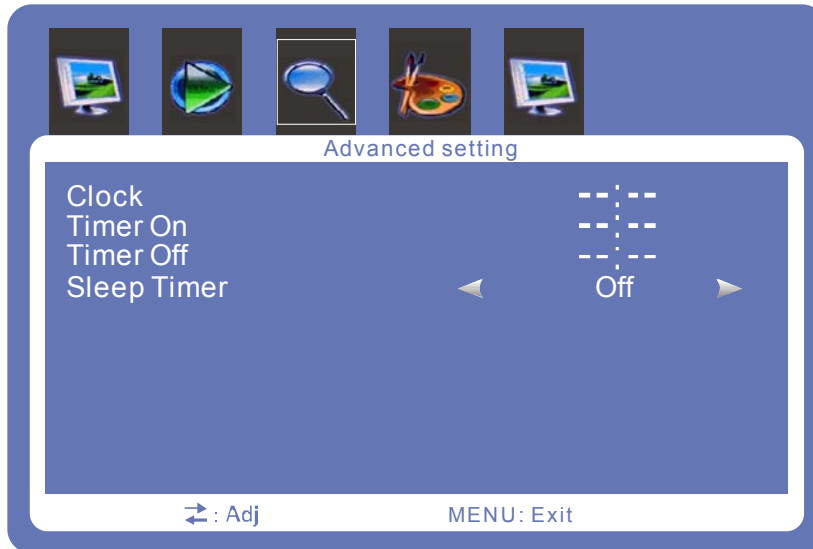


<Bass>: adjust bass, options: 0-100

<Treble>: adjust treble, options: 0-100

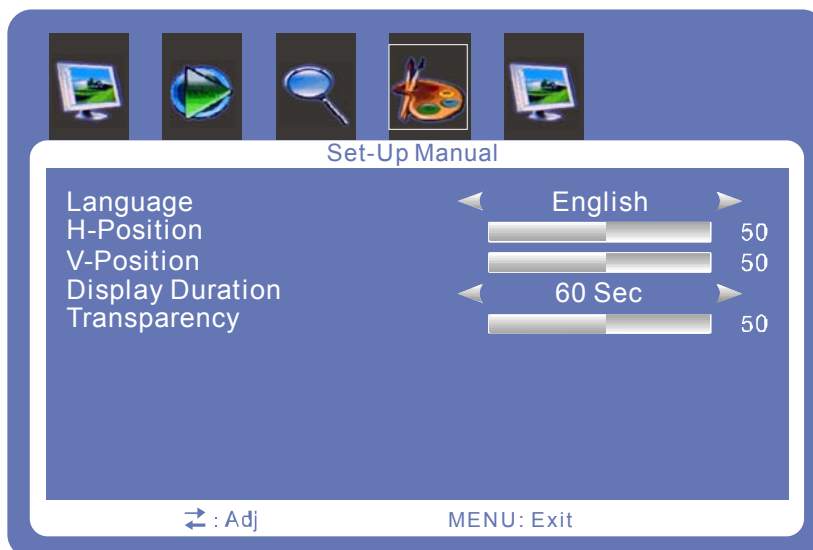
- <Balance>: adjust balance-control for sound output, options: 0-100
- <Sound Effect>: adjust sound effect, options: Standard, Speech, Music, User
- <Sub-Woofer>: adjust subwoofer, options: On, Off
- <AVC>: adjust auto-volume-control, options: On, Off
- <Effects Mode>: adjust sound modes, options: Off, Mode 1, Mode 2, Mode 3
- <Super Bass>: adjust super bass, options: OFF, 1,2,3,4,5,6,7,8,9,10

Advanced setting (Video mode)



- <Clock>: set clock, options: none
- <Timer On>: set time of boot-up, options: none
- <Timer Off>: set time of shutdown, options: none
- <Sleep Timer>: set delay period of sleep, options: Off, 15 minutes, 30 minutes, 45 minutes, 60 minutes, 90 minutes, 120 minutes

Manual setting (Video mode)



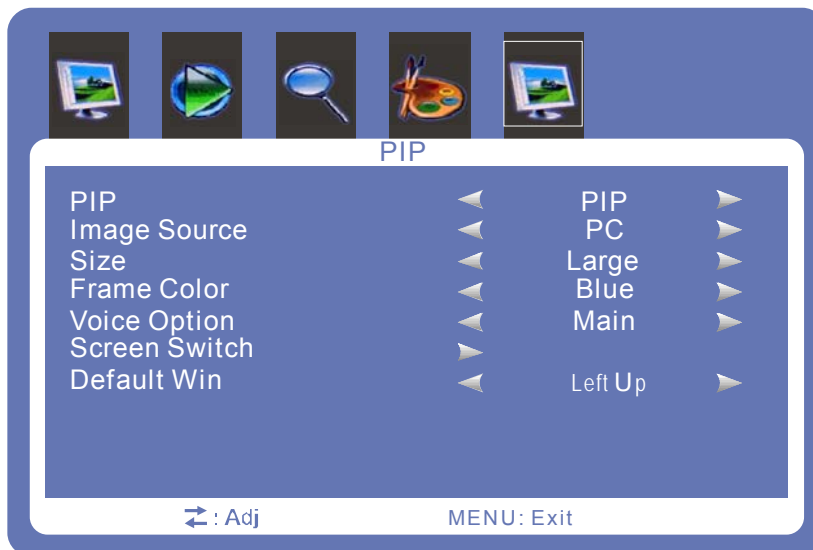
- <Language>: set OSD language types, options: Chinese, English
- <H-Position>: set OSD horizontal position on screen, options: 0-100

<V-Position>: set OSD vertical position on screen, options: 0-100

<Display Duration>: set delay time for OSD auto exit

<Transparency>: set OSD transparency, options: 0-100

Picture-in-Picture setting (Video mode)



<PIP>: select PIP mode, options: OFF, Split, PIP

<Image Source>: select picture source in PIP mode operated, options: PC, HD (YPbPr)

<Size>: define picture size of PIP mode, options: Large, Mid, Small

<Frame Color>: select color of picture border in half-screen mode or PIP mode, options: Blue, Black

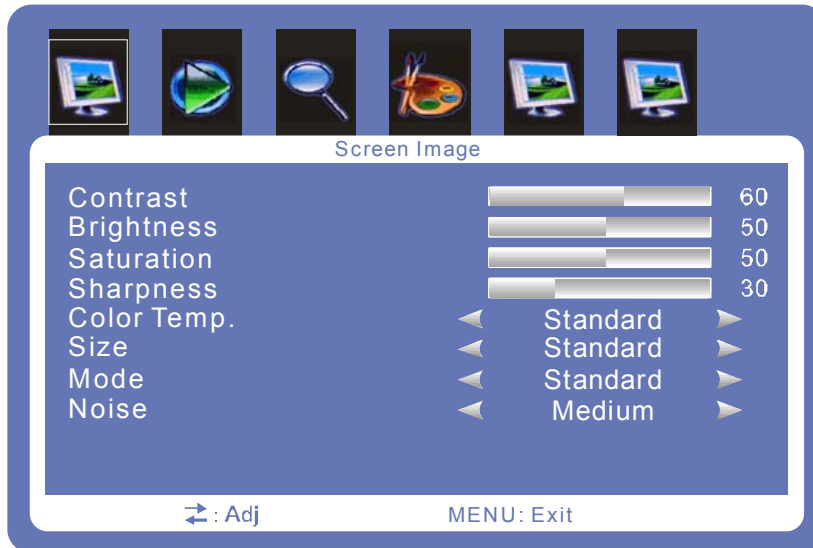
<Voice Option>: select sound source, options: Main, Window

<Screen Switch>: swap 2 picture-positions in half-screen mode or PIP mode

<Default Win>: select window position on screen in PIP mode, options: Left Up, Left Down, Right Up, Right Down

2.4 OSD Menu instructions in YPbPr (Analog RGB) Mode

Screen image setting (YPbPr mode)



<Contrast>: adjust contrast ratio of light and shade, options: 0-100

<Brightness>: adjust brightness of picture, options: 0-100

<Saturation>: adjust color saturation of picture, options: 0-100

<Sharpness>: adjust sharpness of picture, options: 0-100

<Color Temp>: adjust color temperature of picture, options: Standard, Cold, Warm

<Size>: adjust size of picture, options: Normal, Small 1, Small 2, 16:9

<Mode>: adjust display mode of picture, options: Standard, User, Mild, Game

<Noise>: adjust background noise of picture, options: High, Medium, Low, Off

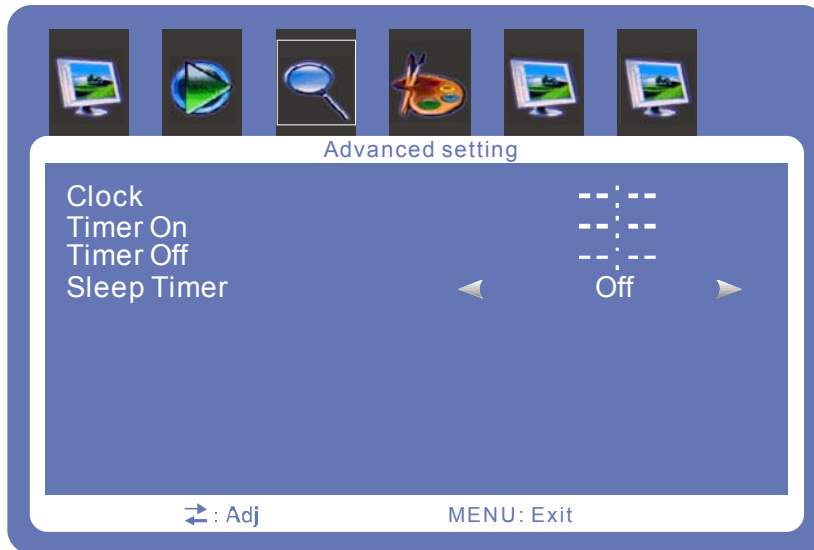
Sound setting (YPbPr mode)



<Bass>: adjust bass, options: 0-100

- <Treble>: adjust treble, options: 0-100
- <Balance>: adjust balance-control for sound output, options: 0-100
- <Sound Effect>: adjust sound effect, options: Standard, Speech, Music, User
- <Sub-Woofer>: adjust subwoofer, options: On, Off
- <AVC>: adjust auto-volume-control, options: On, Off
- <Effects Mode>: adjust sound modes, options: Off, Mode 1, Mode 2, Mode 3
- <Super Bass>: adjust super bass, options: OFF,1,2,3,4,5,6,7,8,9,10

Advanced setting (YPbPr mode)



- <Clock>: set clock, options: none
- <Timer On>: set time of boot-up, options: none
- <Timer Off>: set time of shutdown, options: none
- <Sleep Timer>: set delay period of sleep, options: Off, 15 minutes, 30 minutes, 45 minutes, 60 minutes, 90 minutes, 120 minutes

Manual setting (YPbPr mode)



- <Language>: set OSD language types, options: Chinese, English

<H-Position>: set OSD horizontal position on screen, options: 0-100

<V-Position>: set OSD vertical position on screen, options: 0-100

<Display Duration>: set delay time for OSD auto exit

<Transparency>: set OSD transparency, options: 0-100

Geometry revise (YPbPr mode)



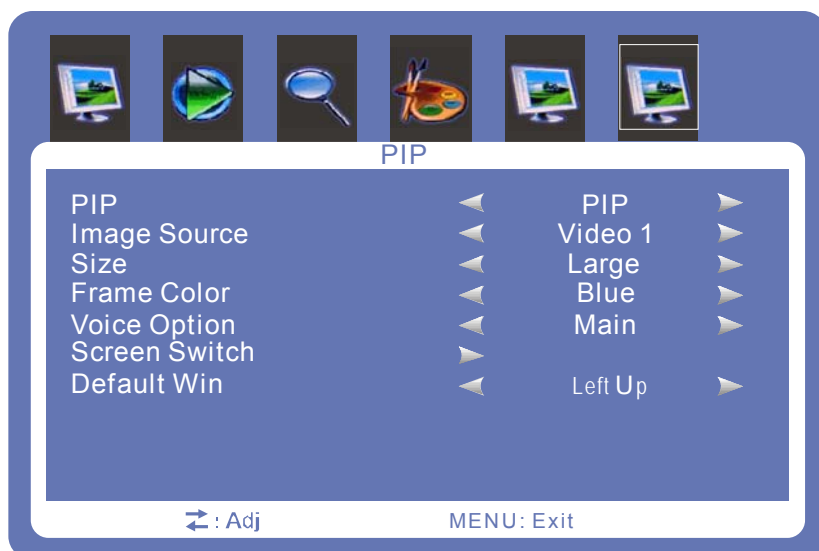
<H-Position>: adjust horizontal position of picture, options: 0-100

<V-Position>: adjust vertical position of picture, options: 0-100

<Clock>: adjust clock of picture, options: 0-100

<Phase>: adjust phase of picture, options: 0-100

Picture-in-Picture setting (YPbPr mode)



<PIP>: select PIP mode, options: OFF, Split, PIP

<Image Source>: select picture source in PIP mode operated, options: Video 1, Video 2

<Size>: define picture size of PIP mode, options: Large, Mid, Small

<Frame Color>: select color of picture border in half-screen mode or PIP mode, options: Blue, Black

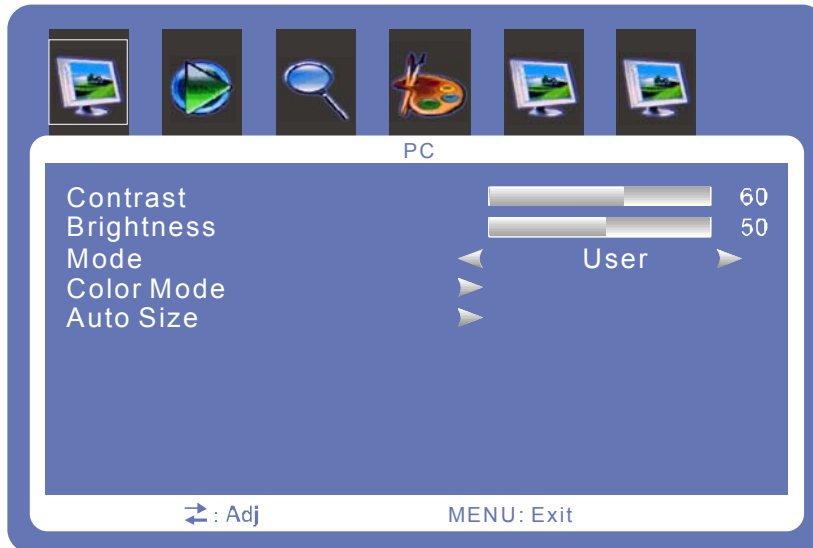
<Voice Option>: select sound source, options: Main, Window

<Screen Switch>: swap 2 picture-positions in half-screen mode or PIP mode

<Default Win>: select window position on screen in PIP mode, options: Left Up, Left Down, Right Up, Right Down

2.5 OSD Adjustment in PC Mode

PC setting (PC mode)



<Contrast>: adjust contrast ratio of light and shade, options: 0-100

<Brightness>: adjust brightness of image, options: 0-100

<Mode>: adjust display mode of image, options: User, Standard, Game, Mild

<Color Mode>: adjust color temperature of image, options: Normal, Warm, Cold, User

<Auto Size>: auto revises phase, clock, horizontal position and vertical position

Sound setting (PC mode)



<Bass>: adjust bass, options: 0-100

<Treble>: adjust treble, options: 0-100

<Balance>: adjust balance-control for sound output, options: 0-100

<Sound Effect>: adjust sound effect, options: Standard, Speech, Music, User

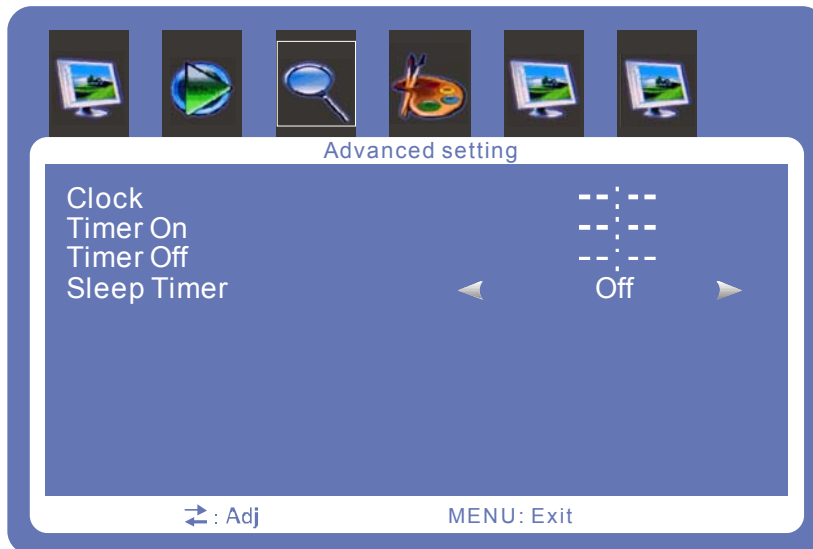
<Sub-Woofer>: adjust subwoofer, options: On, Off

<AVC>: adjust auto-volume-control, options: On, Off

<Effects Mode>: adjust sound modes, options: Off, Mode 1, Mode 2, Mode 3

<Super Bass>: adjust super bass, options: OFF, 1,2,3,4,5,6,7,8,9,10

Advanced setting (PC mode)



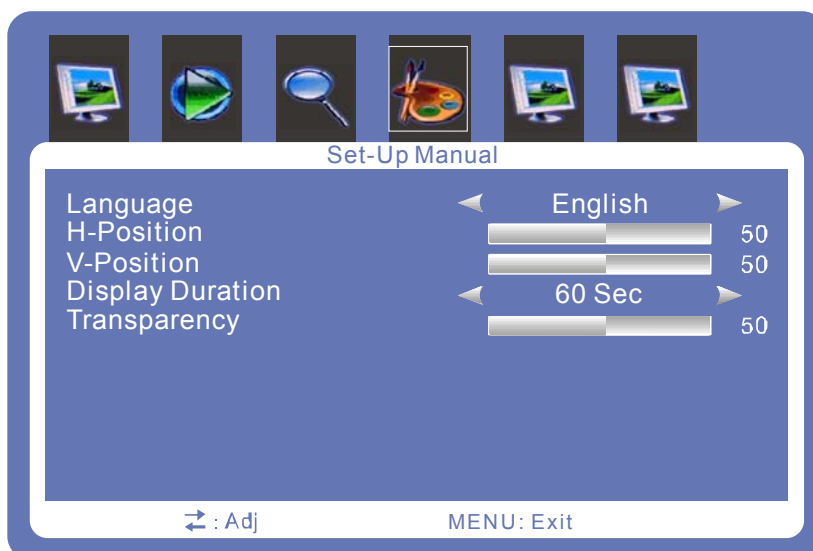
<Clock>: set clock, options: none

<Timer On>: set time of boot-up, options: none

<Timer Off>: set time of shutdown, options: none

<Sleep Timer>: set delay period of sleep, options: Off, 15 minutes, 30 minutes, 45 minutes, 60 minutes, 90 minutes, 120 minutes

Menu setting (PC mode)



<Language>: set OSD language types, options: Chinese, English

<H-Position>: set OSD horizontal position on screen, options: 0-100

<V-Position>: set OSD vertical position on screen, options: 0-100

<Display Duration>: set delay time for OSD auto exit

<Transparency>: set OSD transparency, options: 0-100

Geometry revise (PC mode)



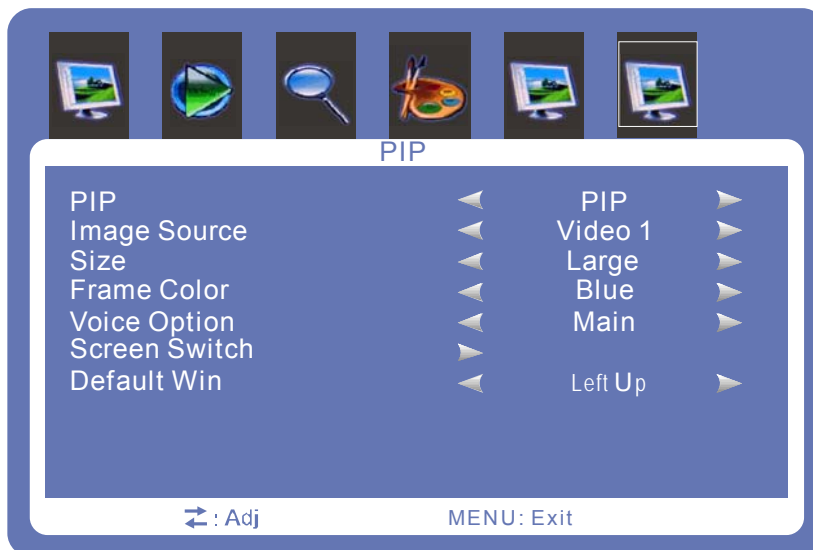
<H-Position>: adjust horizontal position of picture, options: 0-100

<V-Position>: adjust vertical position of picture, options: 0-100

<Clock>: adjust clock of picture, options: 0-100

<Phase>: adjust phase of picture, options: 0-100

Picture-in-Picture setting (PC mode)



<PIP>: select PIP mode, options: OFF, Split, PIP

<Image Source>: select picture source in PIP mode operated, options: Video 1, Video 2

<Size>: define picture size of PIP mode, options: Large, Mid, Small

<Frame Color>: select color of picture border in half-screen mode or PIP mode, options: Blue, Black

<Voice Option>: select sound source, options: Main, Window

<Screen Switch>: swap 2 picture-positions in half-screen mode or PIP mode

<Default Win>: select window position on screen in PIP mode, options: Left Up, Left Down, Right Up, Right Down

Chapter 3 Troubleshooting

Before calling for maintenance and repair, please refer to this section to see if you can solve problem by yourself. If you need some helps, please contact the after service center or our dealer.

Problems	Items to be inspected by yourself
No image	Check whether the power plugs of the MONITOR and the PC are plugged, whether the power supply is switched on, and whether the screen is switched off by the ON/OFF key.
"No signal" appears	Check the VGA cable for correct connection, and whether the PC is power on.
Off-center image	Adjust "horizontal position" and "vertical position" with "automatic correction" or manually. Please refer to "screen menu system" (For PC mode)
Too bright or too dark image	Select a proper "color temperature" adjust "RGB" with "Automatic color correction" or manually. Please refer to "Screen menu system".
Interference lines appear in the "closing Windows" image	Adjust "phase" and "clock" with "automatic correction" or manually. Please refer to "screen menu system"(For PC mode only)
"RGB settings" is not adjustable	Check if "color temperature" is set to "USER". "RGB settings" is adjustable only when "color temperature": is in "USER" state(For PC mode only)
Note: The product is subject to practicality. If there are any changes in specification, we won't inform you separately.	

Chapter 4 Specifications

Models	BN-ML10	BN-ML12	BN-ML15
Screen Size	10.4" TFT LCD	12" TFT LCD	15" TFT LCD
Aspect Ratio	4:3		
Pixel Pitch (H×V)	0.264mm×0.264mm		0.297mm×0.297mm
Pixel	800×600		1024×768
Contrast Ratio	500:1		450:1
Brightness	400cd/m ²		350cd/m ²
Response Time	8ms		
Viewing Angle	60°/60°/40°/30°(up/down/left/right)		80°/80°/80°/80°(up/down/left/right)
Video System	PAL/NTSC, auto identification		
Supported Resolution	640×480(60/72/75HZ) 800×600(60/72/75HZ)		640×480(60/72/75HZ) 800×600(60/72/75HZ) 1024×768(60/72/75HZ)
Video Input	1 channel, BNC, 1.0Vp-p, 75Ω		2 channel, BNC, 1.0Vp-p, 75Ω
VGA Input	1 (15pin D-SUB)		
Analog RGB Input	No		1 (BNC×3)
S-Video signal Input	1 channel		No
Video Output	1 channel, BNC, 1.0Vp-p, 75Ω		
Audio Input(L/R)	1 channel, RCA		
Audio Output(L/R)	1 channel, RCA		
HDMI Interface	No		Standard: without(Customizable)
Scan Mode	Progressive scan		
Dual-screen	No		PIP/POP
Picture Feature	3D filtering (PAL/NTSC), 3D noise reduction, HD (high definition) signal, 10-bit TFT-LCD panel drive (better color transition, WCG-CCFL backlight)		
Speaker	1pair, 16ohm/3W		
Language	English/Chinese (multi languages customizable)		
Installation Mode	VESA mount/Customize		
Structure	Strong metal shell, anti-static, anti-magnetic field, anti-interference		
Panel Color	Black/Customize		
Life Span(hrs)	50,000(hrs)		
Power Consumption	Status of work: <25W; Stand By Power (DPMS): <1W	Status of work: <30W; Stand By Power (DPMS): <1W	Status of work: <35W; Stand By Power (DPMS): <1W
Power Supply	AC100V~AC240V,50/60Hz		
Operating Temperature	0°C ~ 50°C		
Operating Humidity	20% ~ 80%(Non condensing)		
Storage Temperature	-10°C ~ 60°C		

Storage Humidity	5 - 95%(Non condensing)		
Weight	Net Weight: 2kg,Gross Weight: 3.2kg	Net Weight: 2.3kg,Gross Weight: 3.5kg	Net Weight: 5kg,Gross Weight: 6.5kg
Dimensions	Product Dimension: 268×206×43mm Shipment Dimension: 422×365×163mm	Product Dimension: 295×231×45mm Shipment Dimension: 422×365×163mm	Product Dimension: 365×290×60mm,Shipment Dimension: 422×365×163mm

Models	BN-ML17	BN-ML19	BN-ML20
Screen Size	17" TFT LCD	19" TFT LCD	20.1" TFT LCD
Aspect Ratio	4:3		
Pixel Pitch	0.264mm×0.264mm(H×V)	0.294mm×0.294mm(H×V)	0.264mm×0.264mm(H×V)
Pixel	1280×1024	1280×1024	1600×1200
Contrast Ratio	700:1	600:1	1000:1
Brightness	450cd/m ²	450cd/m ²	500cd/m ²
Response Time	8ms		
Viewing Angle (up/down/left/right)	85°/85°/85°/85°	85°/85°/85°/85°	87.5°/87.5°/87.5°/87.5°
Video System	PAL/NTSC, auto identification	PAL/NTSC, auto identification	PAL/NTSC, auto identification
Supported Resolution	640×480(60/72/75HZ) 800×600(60/72/75HZ) 1024×768(60/72/75HZ) 1280×1024(60/72/75HZ)	640×480(60/72/75HZ) 800×600(60/72/75HZ) 1024×768(60/72/75HZ) 1280×1024(60/72/75HZ)	640×480(60/72/75HZ) 800×600(60/72/75HZ) 1024×768(60/72/75HZ) 1280×1024(60/72/75HZ) 1600×1200(60/72/75HZ)
Video Input	2 channel, BNC, 1.0Vp-p, 75Ω		
VGA Input	1 (15pin D-SUB)		
Analog RGB Input	1 (BNC×3)		
Video Output	1 channel, BNC, 1.0Vp-p, 75Ω		
Audio Input(L/R)	1 channel, RCA		
Audio Output(L/R)	1 channel, RCA		
HDMI Interface	Standard: without(Customizable)		
Scan Mode	Progressive scan		
Dual-screen	PIP/POP		
Picture Feature	3D filtering (PAL/NTSC), 3D noise reduction, HD (high definition) signal, 10-bit TFT-LCD panel drive (better color transition, WCG-CCFL backlight)		
Speaker	1pair, 16ohm/3W		
Language	English/Chinese (multi languages customizable)		
Installation Mode	VESA mount/Customize		
Structure	Strong metal shell, anti-static, anti-magnetic field, anti-interference		
Panel Color	Black/Customize		
Life Span(hrs)	50,000(hrs)		
Power Consumption	Status of work: <45W; Stand By Power (DPMS): <1W	Status of work: <45W; Stand By Power (DPMS): <1W	Status of work: <75W; Stand By Power (DPMS): <1W
Power Supply	AC100V~AC240V,50/60Hz		
Operating Temperature	0°C ~ 50°C		
Operating Humidity	20% ~ 80%(Non condensing)		
Storage Temperature	-10°C ~ 60°C		
Storage Humidity	5 - 95%(Non condensing)		
Weight	Net Weight: 6kg	Net Weight: 6.5kg	Net Weight: 8kg

	Gross Weight: 7.5kg(With seat bracket)	Gross Weight: 8kg(With seat bracket)	Gross Weight: 9.5kg(With seat bracket)
Dimensions	Product Dimension: 390×325×58mm Shipment Dimension: 515×440×165mm	Product Dimension: 436×361×61mm Shipment Dimension: 515×440×165mm	Product Dimension: 470×365×65mm Shipment Dimension: 515×440×165mm

Models	BN-ML21	BN-ML22
Screen Size	21" TFT LCD	22" TFT LCD
Aspect Ratio	4:3	16:10
Pixel Pitch	0.264mm×0.264mm(H×V)	0.264mm×0.264mm(H×V)
Pixel	1400×1050	1680×1050
Contrast Ratio	1000:1	
Brightness	500cd/m ²	450cd/m ²
Response Time	8ms	
Viewing Angle (up/down/left/right)	87.5°/87.5°/87.5°/87.5°	85°/85°/85°/85°
Video System	PAL/NTSC, auto identification	
Supported Resolution	640×480(60/72/75HZ) 800×600(60/72/75HZ) 1024×768(60/72/75HZ) 1280×1024(60/72/75HZ) 1400×1050(60/72/75HZ)	640×480(60/72/75HZ) 800×600(60/72/75HZ) 1024×768(60/72/75HZ) 1280×1024(60/72/75HZ) 1680×1050(60/72/75HZ)
Video Input	2 channel, BNC, 1.0Vp-p, 75Ω	
VGA Input	1 (15pin D-SUB)	
Analog RGB Input	1 (BNC×3)	
Video Output	1 channel, BNC, 1.0Vp-p, 75Ω	
Audio Input(L/R)	1 channel, RCA	
Audio Output(L/R)	1 channel, RCA	
HDMI Interface	Standard: without(Customizable)	
Scan Mode	Progressive scan	
Dual-screen	PIP/POP	
Picture Feature	3D filtering (PAL/NTSC), 3D noise reduction, HD (high definition) signal, 10-bit TFT-LCD panel drive (better color transition, WCG-CCFL backlight)	
Speaker	1pair, 16ohm/3W	
Language	English/Chinese (multi languages customizable)	
Installation Mode	VESA mount/Customize	
Structure	Strong metal shell, anti-static, anti-magnetic field, anti-interference	
Panel Color	Black/Customize	
Life Span(hrs)	50,000(hrs)	
Power Consumption	Status of work: <75W; Stand By Power (DPMS): <1W	Status of work: <90W; Stand By Power (DPMS): <3W
Power Supply	AC100V~AC240V,50/60Hz	
Operating Temperature	0°C ~ 50°C	
Operating Humidity	20% ~ 80%(Non condensing)	
Weight	Net Weight: 8kg,Gross Weight: 9.5kg(With seat bracket)	Net Weight: 7kg,Gross Weight: 9kg(With seat bracket)
Dimensions	467×359×66mm	528×352×62mm

Models	BN-ML26	BN-ML32	BN-ML37
Screen Size	26" TFT LCD	32" TFT LCD	37" TFT LCD
Aspect Ratio	16:9		
Pixel Pitch (H×V)	0.4215mm×0.4215mm	0.51075mm×0.51075mm	0.42675mm×0.42675mm
Pixel	1366×768	1366×768	1920×1080
Contrast Ratio	1000:1	1000:1	1200:1
Brightness	500cd/m ²		
Response Time	8ms		
Viewing Angle (up/down/left/right)	85°/85°/85°/85°		
Video System	PAL/NTSC, auto identification		
Supported Resolution	640×480(60/72/75HZ) 800×600(60/72/75HZ) 1024×768(60/72/75HZ) 1280×1024(60/72/75HZ) 1366×768(60/72/75HZ)	640×480(60/72/75HZ) 800×600(60/72/75HZ) 1024×768(60/72/75HZ) 1280×1024(60/72/75HZ) 1366×768(60/72/75HZ)	640×480(60/72/75HZ) 800×600(60/72/75HZ) 1024×768(60/72/75HZ) 1280×1024(60/72/75HZ) 1366×768(60/72/75HZ) 1920×1080(60HZ)
Video Input	2 channel, BNC, 1.0Vp-p, 75Ω		
VGA Input	1 (15pin D-SUB)		
Analog RGB Input	1 (BNC×3)		
Video Output	1 channel, BNC, 1.0Vp-p, 75Ω		
Audio Input(L/R)	1 channel, RCA		
Audio Output(L/R)	1 channel, RCA		
HDMI Interface	Standard: without(Customizable)		
Scan Mode	Progressive scan		
Dual-screen	PIP/POP		
Picture Feature	3D filtering (PAL/NTSC), 3D noise reduction, HD (high definition) signal, 10-bit TFT-LCD panel drive (better color transition, WCG-CCFL backlight)		
Speaker	1pair, 16ohm/3W		
Language	English/Chinese (multi languages customizable)		
Installation Mode	VESA mount/Customize		
Structure	Strong metal shell, anti-static, anti-magnetic field, anti-interference		
Panel Color	Black/Customize		
Life Span(hrs)	50,000(hrs)		
Power Consumption	Status of work: <220W; Stand By Power (DPMS): <3W		
Power Supply	AC100V~AC240V,50/60Hz		
Operating Temperature	0°C ~ 50°C		
Operating Humidity	20% ~ 80%(Non condensing)		
Weight	Net Weight: 8.5kg,Gross Weight: 11.7kg(With wall-mounted bracket)	Net Weight: 13.5kg,Gross Weight: 17.5kg(With wall-mounted bracket)	Net Weight: 19.5kg,Gross Weight: 23.5kg(With wall-mounted bracket)
Dimensions	654×402×95mm	785×480×92mm	907×548×103mm

Models	BN-ML42	BN-ML47	BN-ML52
Screen Size	42" TFT LCD	47" TFT LCD	52" TFT LCD
Aspect Ratio	16:9		
Pixel Pitch	0.4845mm×0.4845mm(H×V)	0.6mm×0.6mm(H×V)	0.6mm×0.6mm(H×V)
Pixel	1920×1080	1920×1080	1920×1080
Contrast Ratio	1500:1	1500:1	1500:1
Brightness	800cd/m ²	800cd/m ²	850cd/m ²
Response Time	8ms	6ms	6ms
Viewing Angle(up/down/left/right)	85°/85°/85°/85°	89°/89°/89°/89°	89°/89°/89°/89°
Video System	PAL/NTSC, auto identification		
Supported Resolution	640×480(60/72/75HZ) 800×600(60/72/75HZ) 1024×768(60/72/75HZ) 1280×1024(60/72/75HZ) 1366×768(60/72/75HZ) 1920×1080(60HZ)	640×480(60/72/75HZ) 800×600(60/72/75HZ) 1024×768(60/72/75HZ) 1280×1024(60/72/75HZ) 1366×768(60/72/75HZ) 1920×1080(60HZ)	640×480(60/72/75HZ) 800×600(60/72/75HZ) 1024×768(60/72/75HZ) 1280×1024(60/72/75HZ) 1366×768(60/72/75HZ) 1920×1080(60HZ)
Video Input	2 channel, BNC, 1.0Vp-p, 75Ω		
VGA Input	1 (15pin D-SUB)		
Analog RGB Input	1 (BNC×3)		
Video Output	1 channel, BNC, 1.0Vp-p, 75Ω		
Audio Input(L/R)	1 channel, RCA		
Audio Output(L/R)	1 channel, RCA		
HDMI Interface	Standard: without(Customizable)		
Scan Mode	Progressive scan		
Dual-screen	PIP/POP		
Picture Feature	3D filtering (PAL/NTSC), 3D noise reduction, HD (high definition) signal, 10-bit TFT-LCD panel drive (better color transition, WCG-CCFL backlight)		
Speaker	1pair, 16ohm/3W		
Language	English/Chinese (multi languages customizable)		
Installation Mode	VESA mount/Customize		
Structure	Strong metal shell, anti-static, anti-magnetic field, anti-interference		
Panel Color	Black/Customize		
Life Span(hrs)	50,000(hrs)		
Power Consumption	Status of work: <220W; Stand By Power (DPMS): <3W	Status of work: <500W; Stand By Power (DPMS): <3W	Status of work: <500W; Stand By Power (DPMS): <3W
Power Supply	AC100V~AC240V,50/60Hz		
Operating Temperature	0°C ~ 50°C		
Operating Humidity	20% ~ 80%(Non condensing)		
Weight	Net Weight: 23.5kg,Gross Weight: 27.4kg(With wall-mounted bracket)	Net Weight: 28.5kg,Gross Weight: 32.5kg(With wall-mounted bracket)	Net Weight: 45.5kg,Gross Weight: 49.5kg(With wall-mounted bracket)

Dimensions	1012×605×98mm	1126×670×96mm	1254×750×108mm
-------------------	---------------	---------------	----------------

Models	BN-ML65	BN-ML70	BN-ML82
Screen Size	65" TFT LCD	70" TFT LCD	82" TFT LCD
Aspect Ratio	16:9	16:9	16:10
Pixel Pitch	0.744mm×0.744mm(H×V)	0.264mm×0.264mm(H×V)	0.264mm×0.264mm(H×V)
Pixel	1920×1080		
Contrast Ratio	2000:1	1500:1	1200:1
Brightness	800cd/m ²	600cd/m ²	700cd/m ²
Response Time	6ms	8ms	8ms
Viewing Angle	89°/89°/89°/89°(up/down/left/right)		
Video System	PAL/NTSC, auto identification		
Supported Resolution	640×480(60/72/75HZ) 800×600(60/72/75HZ) 1024×768(60/72/75HZ) 1280×1024(60/72/75HZ) 1366×768(60/72/75HZ) 1920×1080(60HZ)	640×480(60/72/75HZ) 800×600(60/72/75HZ) 1024×768(60/72/75HZ) 1280×1024(60/72/75HZ) 1366×768(60/72/75HZ) 1920×1080(60HZ)	640×480(60/72/75HZ) 800×600(60/72/75HZ) 1024×768(60/72/75HZ) 1280×1024(60/72/75HZ) 1366×768(60/72/75HZ) 1920×1080(60HZ)
Video Input	2 channel, BNC, 1.0Vp-p, 75Ω		
VGA Input	1 (15pin D-SUB)		
Analog RGB Input	1 (BNC×3)		
Video Output	1 channel, BNC, 1.0Vp-p, 75Ω		
Audio Input(L/R)	1 channel, RCA		
Audio Output(L/R)	1 channel, RCA		
HDMI Interface	Standard: without(Customizable)		
Scan Mode	Progressive scan		
Dual-screen	PIP/POP		
Picture Feature	3D filtering (PAL/NTSC), 3D noise reduction, HD (high definition) signal, 10-bit TFT-LCD panel drive (better color transition, WCG-CCFL backlight)		
Speaker	1pair, 16ohm/3W		
Language	English/Chinese (multi languages customizable)		
Installation Mode	VESA mount/Customize		
Structure	Strong metal shell, anti-static, anti-magnetic field, anti-interference		
Panel Color	Black/Customize		
Life Span(hrs)	50,000(hrs)		
Power Consumption	Status of work: <700W; Stand By Power (DPMS): <3W	Status of work: <1500W; Stand By Power (DPMS): <3W	Status of work: <1500W; Stand By Power (DPMS): <3W
Power Supply	AC100V~AC240V, 50/60Hz		
Operating Temperature	0°C ~ 50°C		
Operating Humidity	20% ~ 80%(Non condensing)		
Dimensions	1561×913×140mm	1678×1000×142mm	1960×1165×150mm