

Berneer[®]

18 Inch/22 Inch Outdoor Camera Housing

Features

- Dimension: 18 inch/22 inch
- Body is die-casting aluminum
- Fore-opening roof assisted by air-powered supporting pole, easy to install camera
- Installation mode: wall mounted
- Use environment: indoor/outdoor
- Protection grade: IP66
- Built In Heater/Blower/Wiper (Optional)
- Input voltage: AC220V or AC24V
- Suitable bracket: Bn-B227(with BN-B230)



BN-B230& BN-B227& BN-B7018

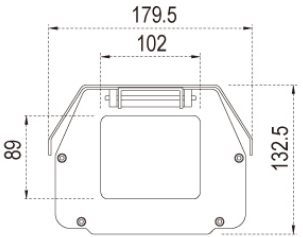
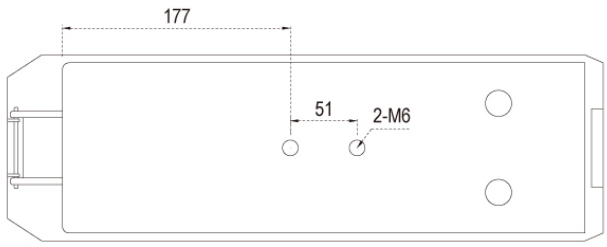
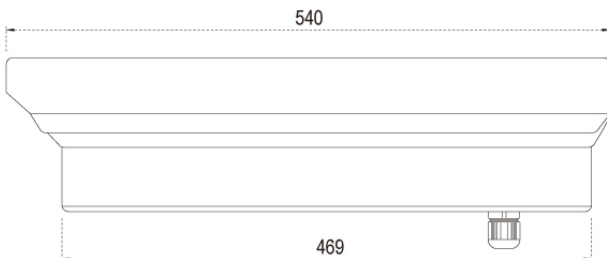
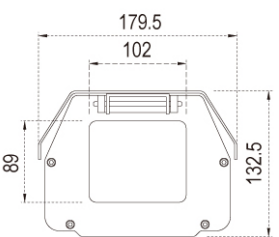
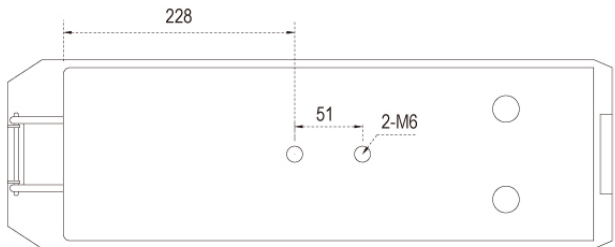
BN-B230& BN-B7018&BN-PT301

Specifications

Model	BN-7018	BN-7018SFHW	BN-7022	BN-7022SFHW
Material	Body: die-casting aluminum, Window: optical glass			
Dimensions	540×179.5×132.5mm(L×W×H)		640×179.5 ×132.5mm(L×W×H)	
Optional Inner Dimensions	315×125×104 mm(L×W×H)	280×125×104 mm(L×W×H)	405×125×104 mm(L×W×H)	370×125×104 mm(L×W×H)
Blower & Heater& Wiper	No	With	No	With
Input voltage	AC24V or AC220V (Please mark voltage when place the order)			
Heater Switch	ON:8°C, OFF: 20°C			
Blower Switch	ON: 37°C, OFF: 20°C			
Power Consumption	Heater: 50W , Blower: 8W , Wiper: 5W			
Window Dimension	102×89mm(H)			
Connection Hole	Φ11.9mm x 2mm			
Weight	5kg	5.2kg	5.5kg	5.7kg

Use Environment	Indoor/Outdoor			
Operating Temperature	-5°C~45°C	-25°C~60°C	-5°C~45°C	-25°C~60°C

Dimensions

<p>Back View (BN-7018/7018SFHW)</p> 	<p>Bottom View (BN-7018/7018SFHW)</p> 
	<p>Side View (BN-7018/7018SFHW)</p> 
<p>Back View(BN-7022/7022SFHW)</p> 	<p>Bottom View (BN-7022/7022SFHW)</p> 
	<p>Side View (BN-7022/7022SFHW)</p> 